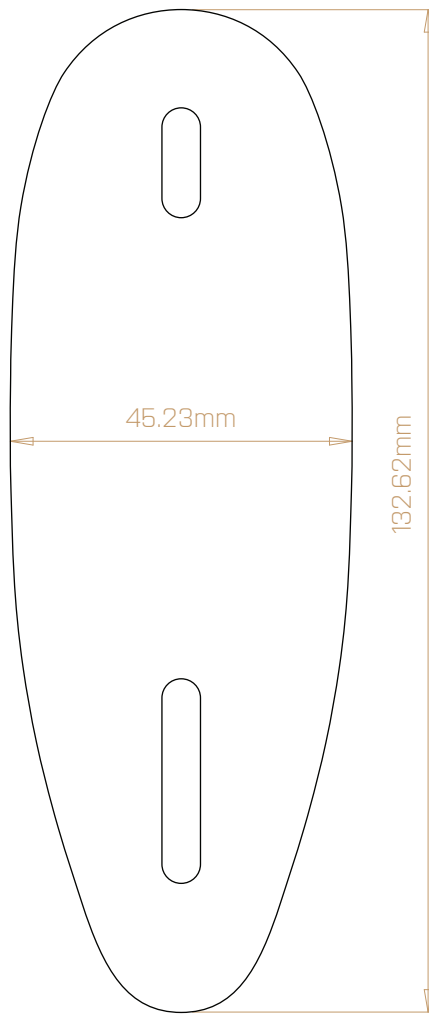


Adapter Plate Template



NOTE: When printing, make sure that the "PRINT ACTUAL SIZE" box is checked or that the "FIT TO PAGE" box is unchecked. These templates will not work if they are not printed 100% to size. You can verify the size by measuring a printed template and comparing to the measurements written on the template.